

S2C USBL Buoy

UNDERWATER POSITIONING SYSTEMS



S2C 18/34 USBL Buoy

The USBL buoy is a fully integrated deployment-ready solution based on EvoLogics S2C USBL devices:

- USBL transceiver with a built-in battery, mounted to a floating unit with on-board PC, dual-antenna GNSS receiver and Wi-Fi access point
- On-board PC runs pre-installed SiNAPS, EvoLogics positioning software
- USBL data and control over Wi-Fi
- NMEA data stream for custom processing
- Light and compact no-foam buoyancy
- Packs up into a single case and can be easily transported, assembled and deployed by a single operator

Buoy configuration is available for all S2C USBL-series devices.

GENERAL*	OPERATING RANGE	1000 -10 000 m depending on model
	FREQUENCY BAND	Hlgh-, mid- and low-frequency models
	TRANSDUCER BEAM PATTERN	Directional and omnidirectional models
USBL TRANSCIEVER	TYPE	S2C USBL-device
	SLANT RANGE ACCURACY	0.01 m
	BEARING RESOLUTION	0.1 degrees
	NOMINAL SNR	10 dB
	HOST INTERFACE	Ethernet
	POWER CONSUMPTION	2.5 mW Stand-by Mode
		2.7 W Receive Mode
		up to 70 W depending on model
	POWER SUPPLY	Internal rechargeable Li-Ion battery, 156 Wh (NiMH optional)
	INTEGRATED AHRS	Integrated xSens MTi 30
GNSS	Dual antenna, GPS, GLONASS, optional RTK or Base-Rover configuration	
RADIO COMMUNICATION	WiFi 2.4 GHz, dual antenna	
ON-BOARD PC	Pre-installed SiNAPS Software	

* See S2C USBL series flyer for details.

S2C USBL Buoy

UNDERWATER POSITIONING SYSTEMS

The applications include:

Positioning, navigation and communication for UUVs

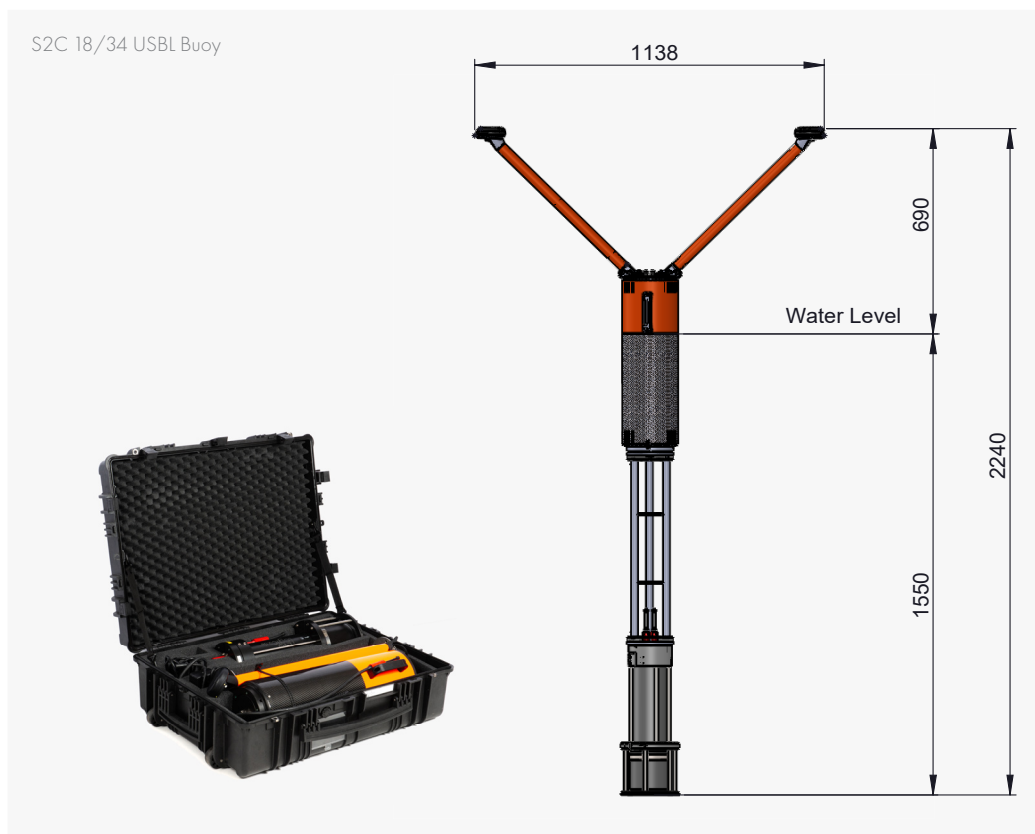
Diver tracking

Underwater acoustic sensor networks

PHYSICAL*	DIMENSIONS	Total/main body	1138 x 280 x 2240 mm / Ø 180 mm
		Over-/underwater	690 mm / 1550 mm
	WEIGHT in air/buoyancy	Delrin	19 kg/ TBC
	BUOYANCY		Composite carbon and glass fiber body
	ASSEMBLY		Dismantles into 3 parts, quick-release fasteners

CONFIGURATION OPTIONS

REMOTE STATION	Direct connection from a PC (up to 50 m) or an optional rugged unit with powerful WiFi module, antenna, rechargeable battery, Ethernet (up to 200 m range)
----------------	--



*Dimensions and weight for S2C 18/34 USBL Buoy in Delrin housing. Dimensions and weights of other builds vary.